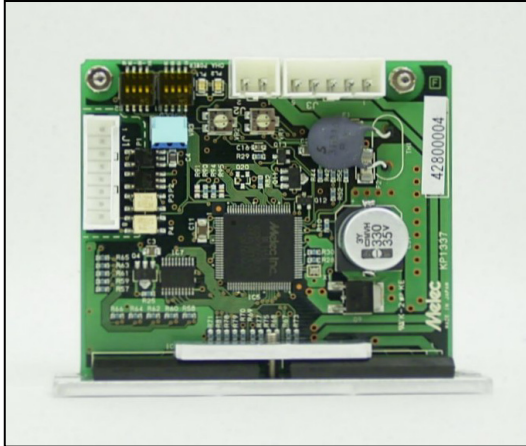


Melec



5-phase Stepping Motor Driver

ADB-5432

Instructions Manual

(For designers' use)

USER'S MANUAL

Please ensure to read and understand this Instructions Manual before using the product. Please keep this Instructions Manual at hand so that it is always available for reference.

MN0063

Introduction

This Instructions Manual describes the safe and proper method of handling "5-phase Stepping Motor Driver ADB-5432" with emphasis on the specifications, assuming that our readers are engaged in designing of control devices incorporating stepping motors.

Please ensure to read and understand this Instructions Manual before using the product.

Please keep this Instructions Manual at hand so that it is always available for reference.

Descriptions in this manual on safety matters:

This product must be operated and used properly.

Otherwise , or when it is operated and used erroneously, unforeseen accidents may occur, causing physical injuries or property damages.

Majority of these accidents can be avoided if you are well informed of hazardous circumstances in advance.

Consequently, this instructions manual describes all the hazardous and dangerous circumstances and situations which can be foreseen and anticipated as well as necessary precautions.

All the above descriptions are being titled by the following symbol-marks and signal-words, namely:



Represents warnings ignorance of which can cause accidents involving fatal or serious physical injuries.



Represents cautions ignorance of which can cause accidents involving minor physical injuries or property damages.

Introduction

Descriptions in this manual on safety matters:

	CONTENTS	PAGE
1. Safety		
1-1. Safety Precautions		6
1-2. Safety Information for Handling		7
2. Overview		
2-1. Characteristics		10
2-2. Product Configuration		10
2-3. Appearance		10
3. Name and Function of Each Section		
3-1. Signal I/O Connector (J1)		11
3-2. DC Input/Motor Output Connector (J2, J3)		12
3-3. POWER LED		12
3-4. O.H.A LED		12
3-5. Operating Section		13
4. Function Set-up by Use		
4-1. Setting MOTOR SELECT switch		14
4-2. Setting STEP ANGLE SELECT switch		14
4-3. Setting HOLD CURRENT ADJUSTMENT trimmer		15
4-4. Setting DRIVE CURRENT SELECT switch		16
4-5. Setting PULSE INPUT TYPE SELECT switch		17
4-6. Setting HOLD SWITCHING TIME SELECT switch		18
4-7. Setting ROTATE CHARACTERISTIC SELECT switch		18
5. Installation		
5-1. Conditions for Installation		19
5-2. Mounting Method		20
6. Connection		
6-1. Overview of Connection Configuration		21
6-2. Connecting Signal I/O Connector (J1)		22
6-3. Connecting DC Input/Motor Output Connector (J2, J3)		23
6-4. Inputting Power		24
7. Confirmation of Setting and Connection		
7-1. Check Points		25

	PAGE
8. Maintenance and Check-up	
8-1. Maintenance and Check-up	26
8-2. Troubleshooting	27
9. Storing and Disposal	
9-1. Storing	28
9-2. Disposal	28
10. Specifications	
10-1. General Specifications	29
10-2. I/O Signal	
(1) Example Circuit Connection	30
(2) Drive pulse input (CW, CCW)	31
(3) Motor excitation stop input (M. F)	32
(4) Phase signal output (P. O)	33
10-3. Overheat alarm(O. H. A)LED	34
10-4. Dimensions	35
10-5. Applicable Motors	36
10-6. Torque Characteristics	37

1. Safety

1 – 1. Safety Precautions

- (1) This product is not designed or manufactured for application for equipment requiring high level of reliability such as equipment related to nuclear energy, aeronautics-related equipment, automobiles, ships, medical appliances directly handling the human body and equipment that might seriously affect properties.
- (2) This product is for a devices inclusion.
Please establish it into enclosure without fail.
- (3) Ensure to use this product according to the method specified in the Instructions Manual and within the specifications.
- (4) Depending on the operational conditions, the stepping motor may step out when it is on holding-state or driving-state.
In particular, the load in transport may fall if the motor steps out on the vertical drive (such as the Z-axis).
Start operation after test run for deliberate confirmation of operation.
- (5) The stepping motor may attain high temperature, depending on the operational conditions.
If the surface temperature exceeds 100°C, provide cooling measures to control it to operate at 100°C at the highest.
- (6) Please do not touch the driver during after operation for a while,
may cause burn on the skin due to overheating of the driver.
- (7) Provide fail-safe measures so that the entire system may operate in a safe mode even in cases of the external power supply failure, disconnection of the signal line, or any failure on the driver.

1 – 2. Safety Information for Handling

●Overall:

 CAUTION

Please do not touch the driver during after operation for a while, it may cause burn on the skin due to overheating of the driver.

●When setting up the MOTOR SELECT switch:

 CAUTION

Erroneous setting may cause burn on the skin due to overheating of the motor. Ensure correct setting.

●When setting up the STEP ANGLE SELECT switch:

 CAUTION

Erroneous setting may cause breakage of the machine or injury due to unexpected rotation of the motor. Ensure correct setting.

●When setting up the HOLD CURRENT ADJUSTMENT trimmer:

 CAUTION

A high setting value may cause burn on the skin due to overheating of the motor. Do not select a high value beyond the required.

●When setting up the DRIVE CURRENT SELECT switch:

 CAUTION

Erroneous setting may cause burn on the skin due to overheating of the motor. Ensure correct setting.

- When Setting up PULSE INPUT TYPE SELECT switch:

 CAUTION

Erroneous setting may cause breakage of the machine or injury due to unexpected rotation of the motor.
Ensure correct setting.

- When installing:

 WARNING

Overheating may cause fire.
Mount it on a noncombustible member.
Keep it away from combustibles.

- When connecting the DC Input/Motor Output Connectors (J2, J3):

 CAUTION

Erroneous connection may result in breakage of the motor.
Correctly connect the motor wiring.

- When inputting power:

 CAUTION

Breakage of the machine or injury is apprehended due to unexpected behavior of the motor. Maintain the state where emergency stop is enabled at any time.

- When performing maintenance and checking:

 WARNING

Injury or fire is apprehended due to unexpected behavior.
Do not replace fuse.
Do not disassemble, repair or modify.

- When inputting the motor excitation stop (M.F) signal:

 CAUTION

Deterioration of the holding power with the motor may cause breakage of the machine or injury.
Check safety before inputting.

- When the overheat alarm (O.H.A) LED comes on:

 WARNING

Overheating may cause fire.
Stop operation when this LED comes on.

2. Overview

2-1. Characteristics

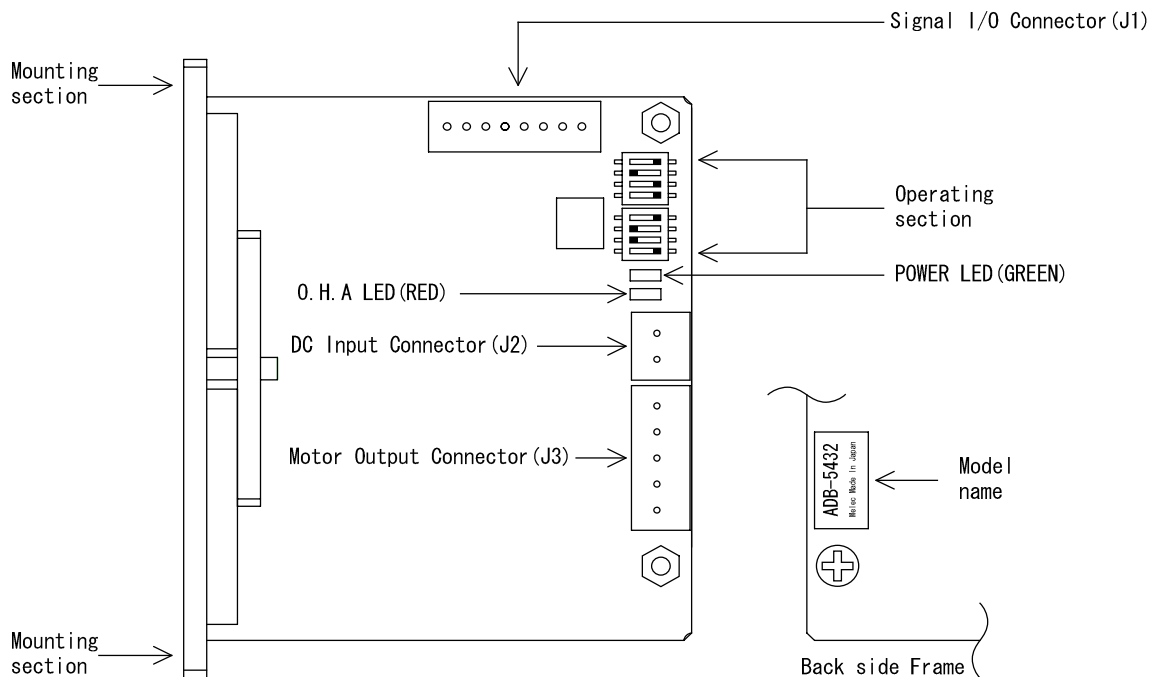
ADB-5432 is a driver for a 5-phase stepping motor with DC +24V input.
 It can drive a 5-phase stepping motor ranging from 0.75A/phase ~ 1.4A/phase.
 Five step angles can be selected from angles ranging from a 1/1 division to a 1/20 division of the basic angle.
 HOLD CURRENT can be set up.

2-2. Product Configuration

The product consists of the main frame and the accessories.

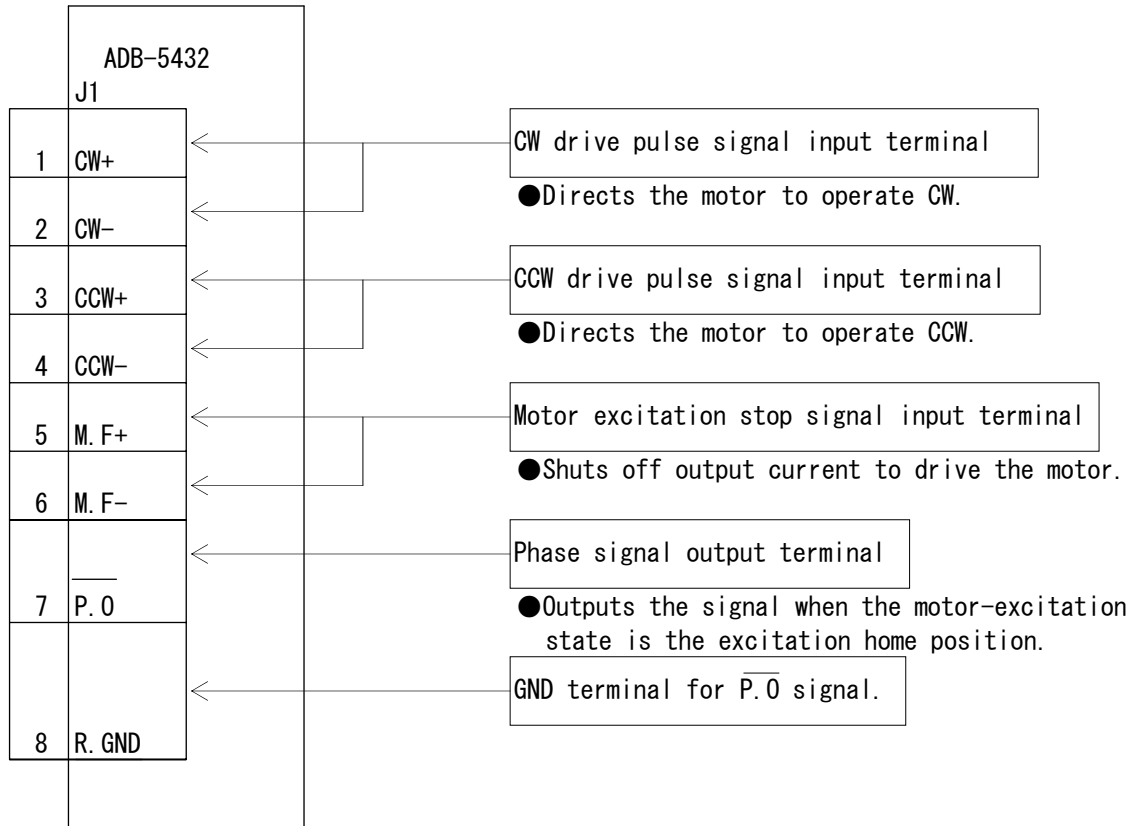
●ADB-5432	One unit
●Housing for J1 (51103-0800:Molex)	One unit (accessory)
●Housing for J2 (51067-0200:Molex)	One unit (accessory)
●Housing for J3 (51067-0500:Molex)	One unit (accessory)
●Contact for J1 (50351-8100:Molex)	10 contacts (accessories, 2 for spares)
●Contact for J2, J3 (50217-9101:Molex)	9 contacts (accessories, 2 for spares)

2-3. Appearance

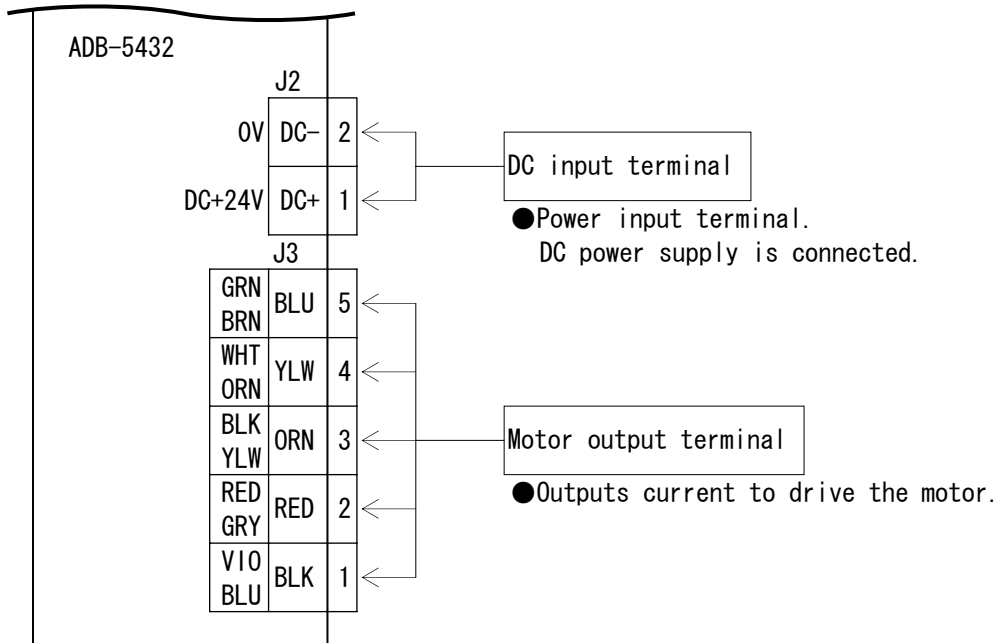


3. Name and Function of Each Section

3 – 1. Signal I/O Connector (J 1)



3 – 2. DC Input/Motor Output Connector (J 2, J 3)



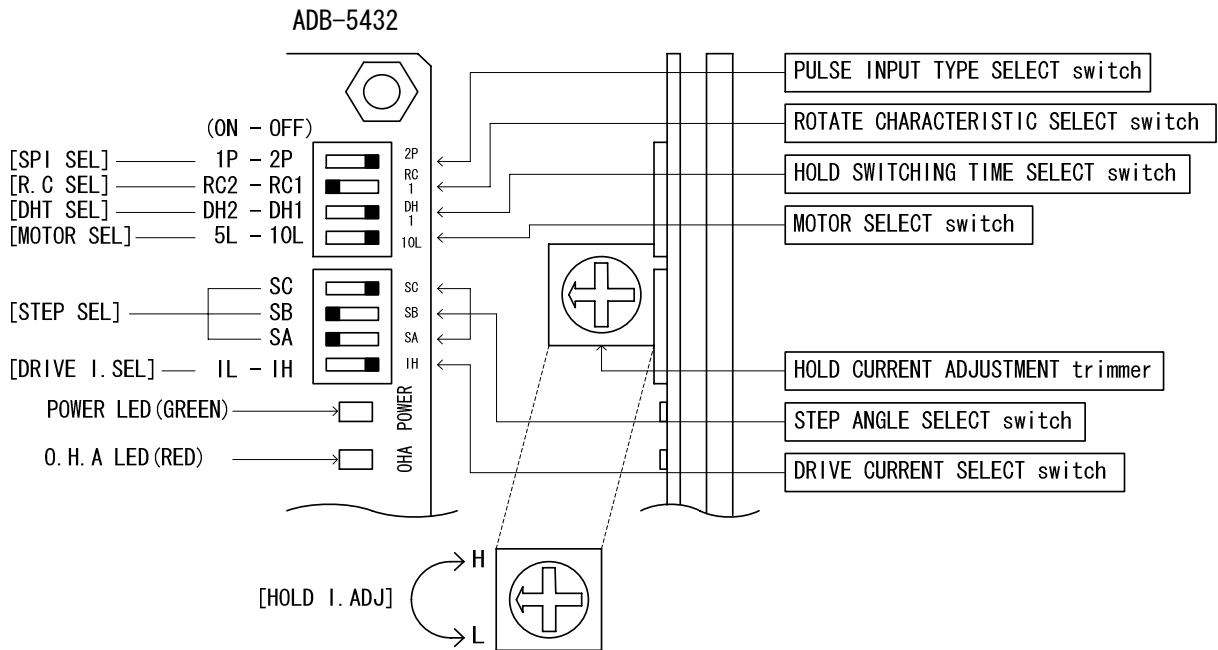
3 – 3. POWER LED

POWER LED (GREEN) comes on upon inputting power.

3 – 4. O.H.A LED

O. H. A LED (RED) comes on when internal temperature of the driver has reached approx. 70°C or more.

3 – 5. Operation Section



Name of Operation Section	Function	Factory Setting
PULSE INPUT TYPE SELECT switch	Selects a pulse input type.	[2P]
ROTATE CHARACTERISTIC SELECT switch	Selects a characteristic of motor rotation.	[RC2]
HOLD SWITCHING TIME SELECT switch	DRIVE/HOLD CURRENT automatic switching time is selected.	[DH1 (150ms)]
MOTOR SELECT switch	Selects the applicable motor.	[10L]
STEP ANGLE SELECT switch	Selects a step angle.	SC : [OFF] SB : [ON] SA : [ON]
DRIVE CURRENT SELECT switch	Selects DRIVE CURRENT.	[IH]
HOLD CURRENT ADJUSTMENT trimmer	Adjusts HOLD CURRENT.	[Approx. 40%]

4. Function Set-up by Use

4 – 1. Setting MOTOR SELECT switch

⚠ CAUTION

Erroneous setting may cause burn on the skin due to overheating of the motor. Ensure correct setting.

The MOTOR SEL switch is turned to the setting corresponding to the motor in use. Set this switch with power OFF. The switch is factory-set to [10L].

- (1) Turn power [OFF].
- (2) Turn switch [10L/5L] to the setting specified in the table "10-5. Applicable Motors."

4 – 2. Setting STEP ANGLE SELECT switch

⚠ CAUTION

Erroneous setting may cause breakage of the machine or injury due to unexpected rotation of motor. Ensure correct setting.

The step angle is set up with the STEP SEL switch. The step angle can be selected from five different types of step angles. The switches are factory-set to [1/20 divisions].

- (2) Set the STEP SEL switch [SA, SB, SC] to the step angle required.

● Relationship between the STEP SEL switch and the step angle.

STEP SEL switch			Number of Divisions	Step angle(°)
SC	SB	SA		0.72° motor
ON	ON	ON	1/1	0.72
ON	ON	OFF	1/2	0.36
ON	OFF	ON	1/4	0.18
ON	OFF	OFF	1/10	0.072
OFF	ON	ON	1/20	0.036 (Factory setting)

4 – 3. Setting HOLD CURRENT ADJUSTMENT trimmer

⚠ CAUTION

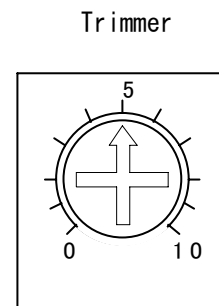
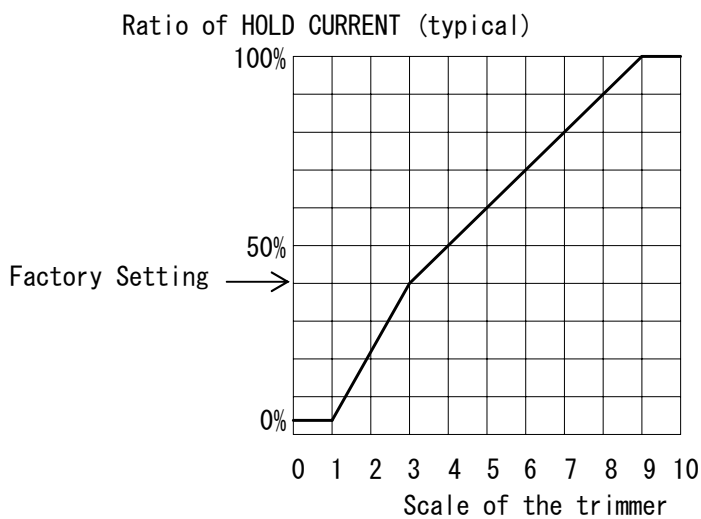
A high setting value may cause burn on the skin due to overheating of the motor.
Do not select a high value beyond the required.

HOLD CURRENT is set up with the HOLD I.ADJ trimmer.
This sets the ratio of HOLD CURRENT to DRIVE CURRENT.
The trimmer is factory-set to approx. 40%.

(1) Set the gauge of the trimmer to the required value.

● Relationship between the trimmer scales and HOLD CURRENT.

$$\text{Ratio of HOLD CURRENT (\%)} = \frac{\text{HOLD CURRENT}}{\text{DRIVE CURRENT}} \times 100$$



- HOLD CURRENT changes relative to DRIVE CURRENT setting.
The ratio of HOLD CURRENT of 100% represents the same as the setting for DRIVE CURRENT.
- The greater the ratio of HOLD CURRENT grows, the more heat the motor generates when is on holding-state.
- When the trimmer is set minimum, HOLD CURRENT is approx. 20% or less of DRIVE CURRENT.

4 – 4. Setting DRIVE CURRENT SELECT switch

 CAUTION

Erroneous setting may cause burn on the skin due to overheating of the motor.
Ensure correct setting.

DRIVE CURRENT is set up with the DRIVE I.SEL switch.
The switch is factory-set to [IH].

- (1) Set the DRIVE I.SEL switch [IH/IL] to the setting specified in the table "10-5. Applicable Motors."

4 – 5. Setting PULSE INPUT TYPE SELECT switch

⚠ CAUTION

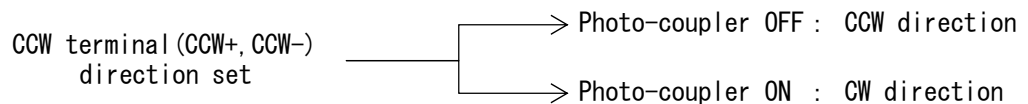
Erroneous setting may cause breakage of the machine or injury due to unexpected rotation of motor.
Ensure correct setting.

2-pulse input method/1-pulse input method are set up by the PULSE INPUT TYPE SELECT switch.
Set this switch with power OFF.
The switch is factory-set to 2-pulse input method[2P].

- (1) Turn power [OFF].
- (2) Set the SPI SEL [2P/1P] switch.

SPI SEL	Input type
ON	1PULSE (1P)
OFF	2PULSE (2P)

- When the motor is operated with two pulse signal inputs of CW and CCW, switch the SPI SEL to [OFF(2P)].
- When the motor is operated with the pulse signal and direction signal input, switch SPI SEL to [ON(1P)].
- In the case that 1-pulse input method is selected, the CCW terminal becomes direction signal input designating the direction of the motor rotation. Drive pulse set to the CW terminal (CW+, CW-).



- The input timing is same with 2-pulse input method and 1-pulse input method .
As for input timing, please refer to "10-2. (2)Drive pulse input (CW, CCW)"

4 – 6. Setting HOLD SWITCHING TIME SELECT switch

DRIVE/HOLD CURRENT automatic switching time is set up with the HOLD SWITCHING TIME SELECT switch. The switch is factory-set to [DH1(150ms)].

(1) Set the DHT SEL [DH1/DH2].

DHT SEL	Hold Switching Time
ON	DH2 (15ms)
OFF	DH1 (150ms)

4 – 7. Setting ROTATE CHARACTERISTIC SELECT switch

The switch is factory-set to [RC2].

- By setting the switch to [RC1] the vibration of the motor in a acceleration/deceleration drive may reduce.
- Select it after evaluated characteristic with an actual device.

5. Installation

5-1. Conditions for Installation

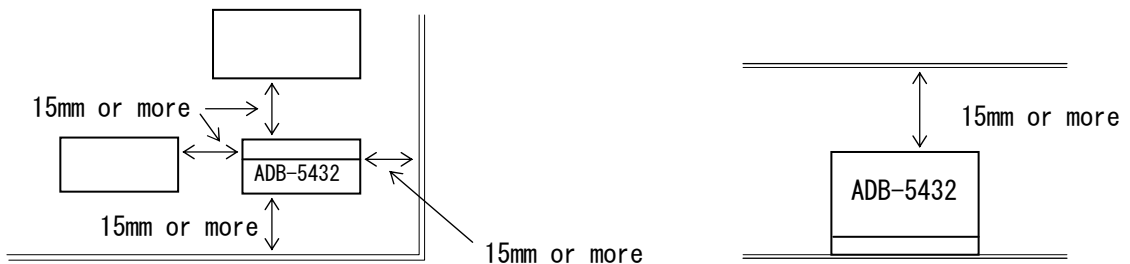
⚠ WARNING

Overheating may cause fire.
Mount it on a noncombustible member.
Keep it away from combustibles.

(1) Designed for incorporating into equipment used indoors, this product requires to be installed in the following environment:

- Indoors (where it is not exposed to direct sun).
- Where ambient temperature and humidity are controlled within the range set out in the specifications.
- Where there is no corrosive or inflammable gas.
- Where it can be protected from dust, salt or iron powder.
- Where the product main frame is not exposed to direct vibration or shock.
- Where it is not exposed to splashes of water, oil or chemicals.

(2) Install the driver at least 15mm away from other equipment.



(3) Considering heat release, control the ambient temperature around the driver within the specified value.

- Take measures against accumulation of heat such as allowing generous space around the driver or installing a fan so that heat release is taken care of.
- Install the driver securely in contact with metal or other substance with adequate heat conductivity.

(4) In the case that an overheat alarm(O. H. A) LED comes on, perform the cooling measure of the mounting plate is enlarged or compulsion air cooling etc.
Use the driver on the condition that an overheat alarm(O. H. A) LED goes out.

(5) Do not allow standing or placing anything heavy on the product.

5 – 2. Mounting Method

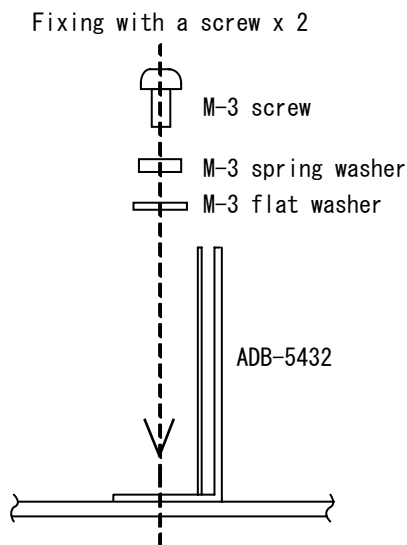
The round holes on the main body are used.

The following items are required:

●M-3 screw (8mm or more in length):	2
●M-3 spring washer:	2
●M-3 flat washer:	2

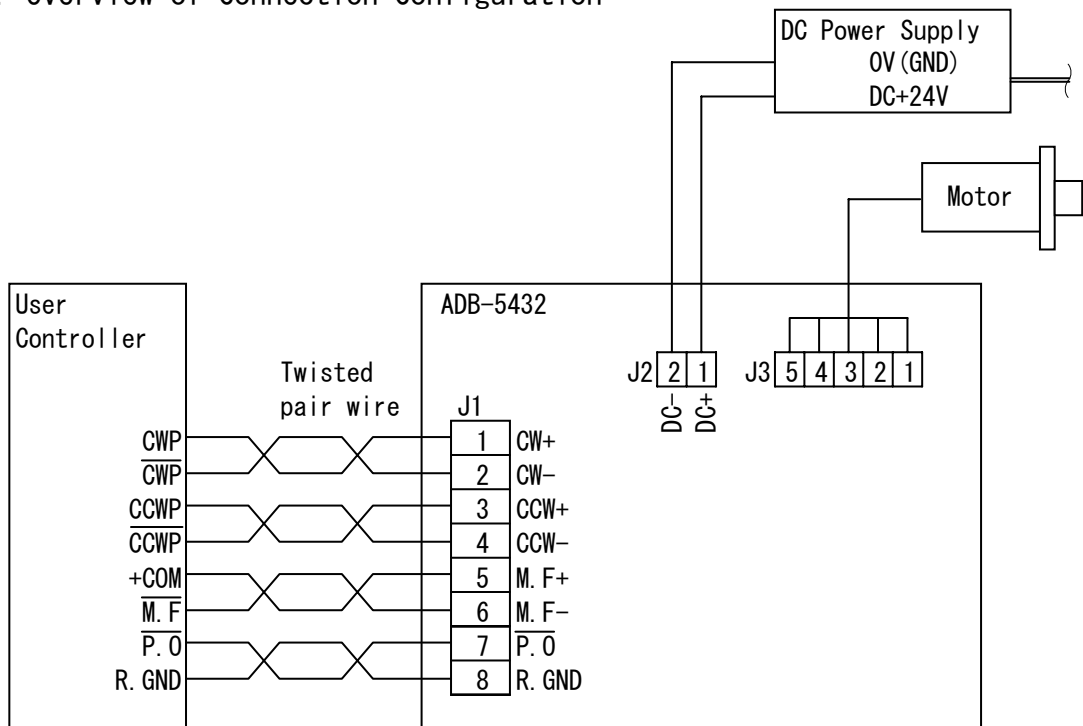
(1) Fix the product at the two round holes on the main body.

●Mounting example



6. Connection

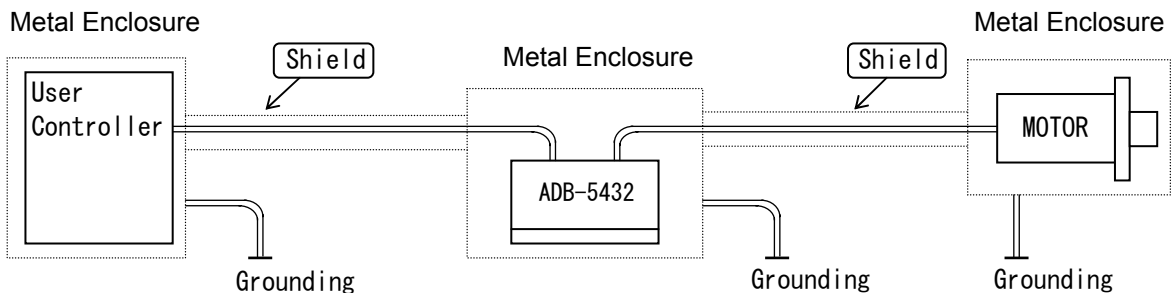
6-1. Overview of Connection Configuration



- Connect only one motor to one driver.
- Do not power ON/OFF by the relay etc. in the output side of the DC power supply.
- Use twisted pair wire for the CW/CCW input signal line.
- Provide shielding for the signal line where considerable noise is generated.
- Use the wire material of the characteristic that is difficult to burn.
- Provide shielding for the motor line if it generates significant noise.
- Use the DC power supply that was reinforced insulation between primary-side and secondary-side.

[Example configuration]

The metallic enclosure and shielded wires work to shield noise.



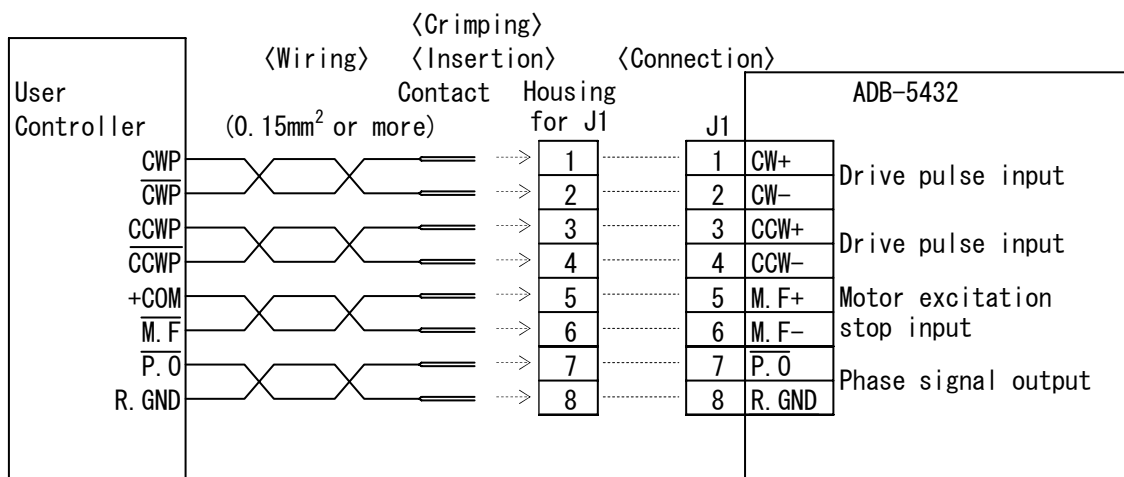
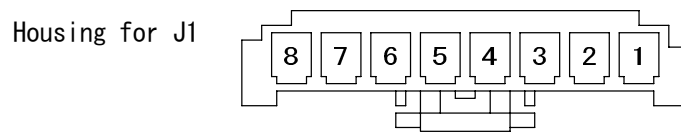
6-2. Connecting Signal I/O Connector (J1)

The following items are required:

- | | |
|---|--------------------------|
| ●Housing for J1 (51103-0800:Molex) | One unit (accessory) |
| ●Contact for J1 (50351-8100:Molex) | 8 contacts (accessories) |
| ●Manually operated crimping tool for AWG28-22(57295-5000:Molex) | One unit |

- (1) Crimp the contact to the cable used for wiring.
- (2) Insert the contact into the housing.
Make sure that the housing No. and the connector No. on the main frame are matched before inserting the contacts.
- (3) Connect the housings to the connectors on the main frame.
 - The contacts for J1 are 8 pieces.
 - When inserting, keep pushing J1 housing into the connectors until it is locked. Also, check if the contacts are not displaced from the housing.
 - In wiring, isolate the J1 signal lines from equipment that may be a source of noise, the power line and the motor line.

(Surface on which the contacts are inserted)



6 – 3. Connecting DC Input/Motor Output Connector (J 2 , J 3)

⚠ CAUTION

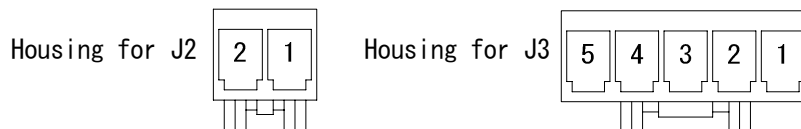
Erroneous connection may result in breakage of the motor.
Correctly connect the motor wiring.

The following items are required:

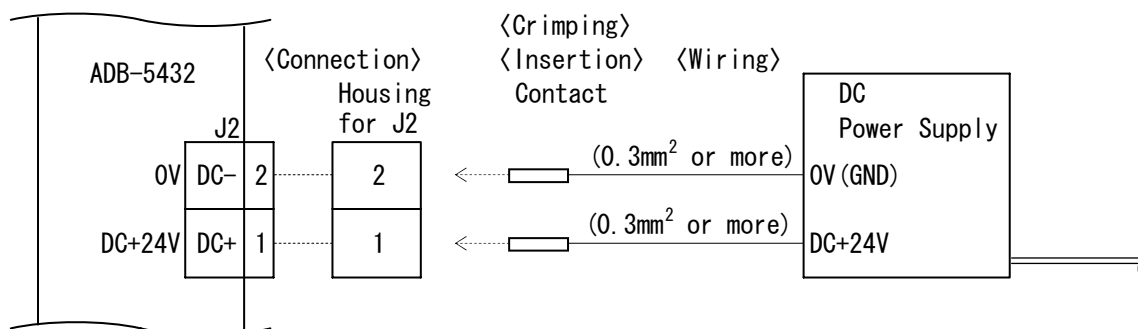
- Housing for J2 (51067-0200:Molex) One unit (accessory)
- Housing for J3 (51067-0500:Molex) One unit (accessory)
- Contact for J2,J3 (50217-9101:Molex) 7 contacts (accessories)
- Manually operated crimping tool One unit
for AWG24-18(57189-5000:Molex)

- (1) Crimp the contact to the cable used for wiring.
- (2) Insert the contact into the housing.
Make sure that the housing No. and the connector No. on the main frame are matched before inserting the contacts.
- (3) Connect the housings to the connectors on the main frame.
 - The contacts for J2(for DC input) are 2 pieces, and for J3(motor output) are 5 pieces.
 - When inserting, keep pushing J2,J3 housings into the connectors until it is locked. Also, check if the contacts are not displaced from the housing.

(Surface on which the contacts are inserted)



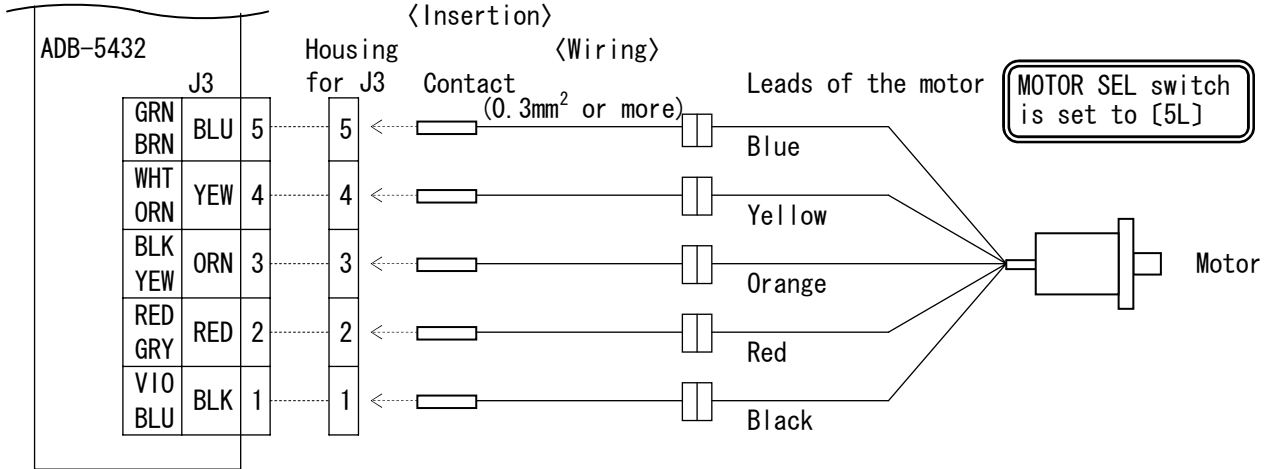
[DC input Connector]



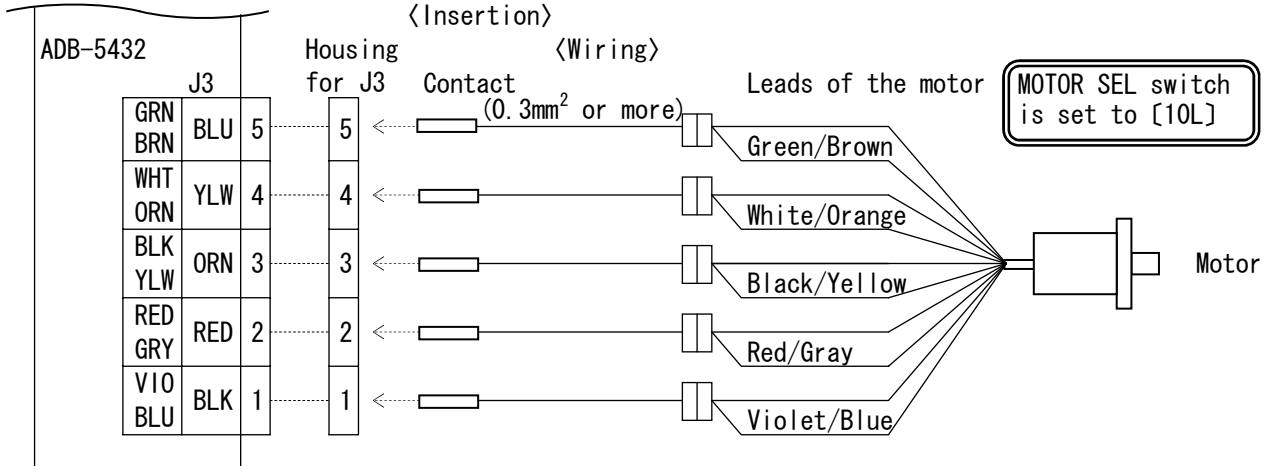
- Do not power ON/OFF by the relay etc. in the output side of the DC power supply.

[Motor output Connector]

<Connection> <Crimping>
<Insertion>



<Connection> <Crimping>
<Insertion>



- Color indications for the motor crimping J3 represent colors of the leads of the motor.

6 - 4. Inputting Power

CAUTION

Breakage of the machine or injury is apprehended due to unexpected behavior of the motor. Maintain the state where emergency stop is enabled at any time.

- (1) Input the DC power supply (DC+24V) in the cable that connected to No.1 and No. 2 terminals of J2.

7. Confirmation of Setting and Connection

7 – 1. Check Points

This product requires different switch setting and motor wiring depending on the motor used.

Check if the switch setting and the motor wiring are correctly performed.

Check Points		Check	Remarks
Setting of PULSE INPUT TYPE SELECT switch	SPI SEL (2P/1P)		
Setting of ROTATE CHARACTERISTIC SELECT switch	R. C SEL (RC1/RC2)		
Setting of HOLD SWITCHING TIME SELECT switch	DHT SEL (DH1/DH2)		
Setting of MOTOR SELECT switch	MOTOR SEL (10L/5L)		
Setting of STEP ANGLE SELECT switch	STEP SEL (SA, SB, SC)		
Setting of DRIVE CURRENT SELECT switch	DRIVE I. SEL (IH/IL)		
Setting of HOLD CURRENT ADJUSTMENT trimmer	Trimmer Scale		
Connection of J1			
Connection of J2	DC+, DC-		
Connection of J3	MOTOR		

8. Maintenance and Check-up

8 – 1. Maintenance and Check-up

⚠ WARNING

Injury or fire is apprehended due to unexpected behavior.
Do not replace fuse.
Do not disassemble, repair or modify.

- (1) As for a maintenance inspection the engineer of the specialty shall do it.
- (2) We recommend that the following check-ups should be performed periodically:
 - Checking for any loosened contact on the connectors.
 - Checking for any flaw and crack on the cabling.
- (3) In case of failure, return the driver to us and have it repaired.

8 – 2. Troubleshooting

Trouble	Check Item	Assumed Cause
1. POWER LED does not come on.	<ul style="list-style-type: none"> ▪ Connection of power supply. ▪ Value of power voltage. 	<ul style="list-style-type: none"> ▪ Wiring error with power supply. ▪ Power voltage failure. ▪ Driver failure.
2. The motor is not excited. (It can be easily rotated by hand.)	<ul style="list-style-type: none"> ▪ Connection of the motor to the driver. ▪ ON/OFF status of the M.F signal. ▪ Value of the HOLD CURRENT ADJUSTMENT trimmer. 	<ul style="list-style-type: none"> ▪ Wiring error with the motor and the driver. ▪ The M.F signal is input. ▪ HOLD CURRENT is set to zero. ▪ Driver failure.
3. The motor does not rotate. The motor behaves abnormally. The motor steps out.	<ul style="list-style-type: none"> ▪ The same check items as those under item 2 above. ▪ Setting of the MOTOR SELECT switch. ▪ Setting of the PULSE INPUT TYPE SELECT switch. ▪ Connection of the pulse signal. ▪ Voltage and wave form of the pulse signal. ▪ Setting of the DRIVE CURRENT SELECT switch. ▪ Setting of the STEP ANGLE SELECT switch. 	<ul style="list-style-type: none"> ▪ Wrong setting for the motor selection. ▪ Wrong setting for the PULSE INPUT TYPE selection. ▪ Wiring error with the pulse signal line. ▪ Pulse signal of wrong specifications. ▪ Wrong Setting for DRIVE CURRENT selection. ▪ Wrong setting for the step angle. ▪ Driver failure. ▪ Motor failure.
4. The motor steps out during acceleration.	<ul style="list-style-type: none"> ▪ Starting pulse speed. ▪ Acceleration time. 	<ul style="list-style-type: none"> ▪ Starting pulse signal speed is too high. ▪ Acceleration time is too short.
5. The motor generates excessive heat.	<ul style="list-style-type: none"> ▪ Setting of the DRIVE CURRENT SELECT switch. ▪ Value of the HOLD CURRENT ADJUSTMENT trimmer. ▪ Setting of the MOTOR SELECT switch. 	<ul style="list-style-type: none"> ▪ Wrong Setting for DRIVE CURRENT selection. ▪ The setting for HOLD CURRENT is too high. ▪ Wrong setting for the motor selection.

Short-circuiting of the motor output connector may cause the driver to fail.

- The motor output connector and the power line.
- The motor output connector and the motor output connector.

When the failure phenomenon cannot be remedied, contact our office.

9. Storing and Disposal

9 – 1. Storing

(1) Keep the product in the following environment:

- Indoors (where it is not exposed to direct sun).
- Where ambient temperature and humidity are controlled within the range set out in the specifications.
- Where there is no corrosive or inflammable gas.
- Where it can be protected from dust, salt or iron powder.
- Where the product main frame is not exposed to direct vibration or shock.
- Where it is not exposed to splashes of water, oil or chemicals.

(2) Do not allow standing or placing anything heavy on the product.

9 – 2. Disposal

(1) Dispose of the product as industrial waste.

1 0. Specifications

1 0 – 1. General Specifications

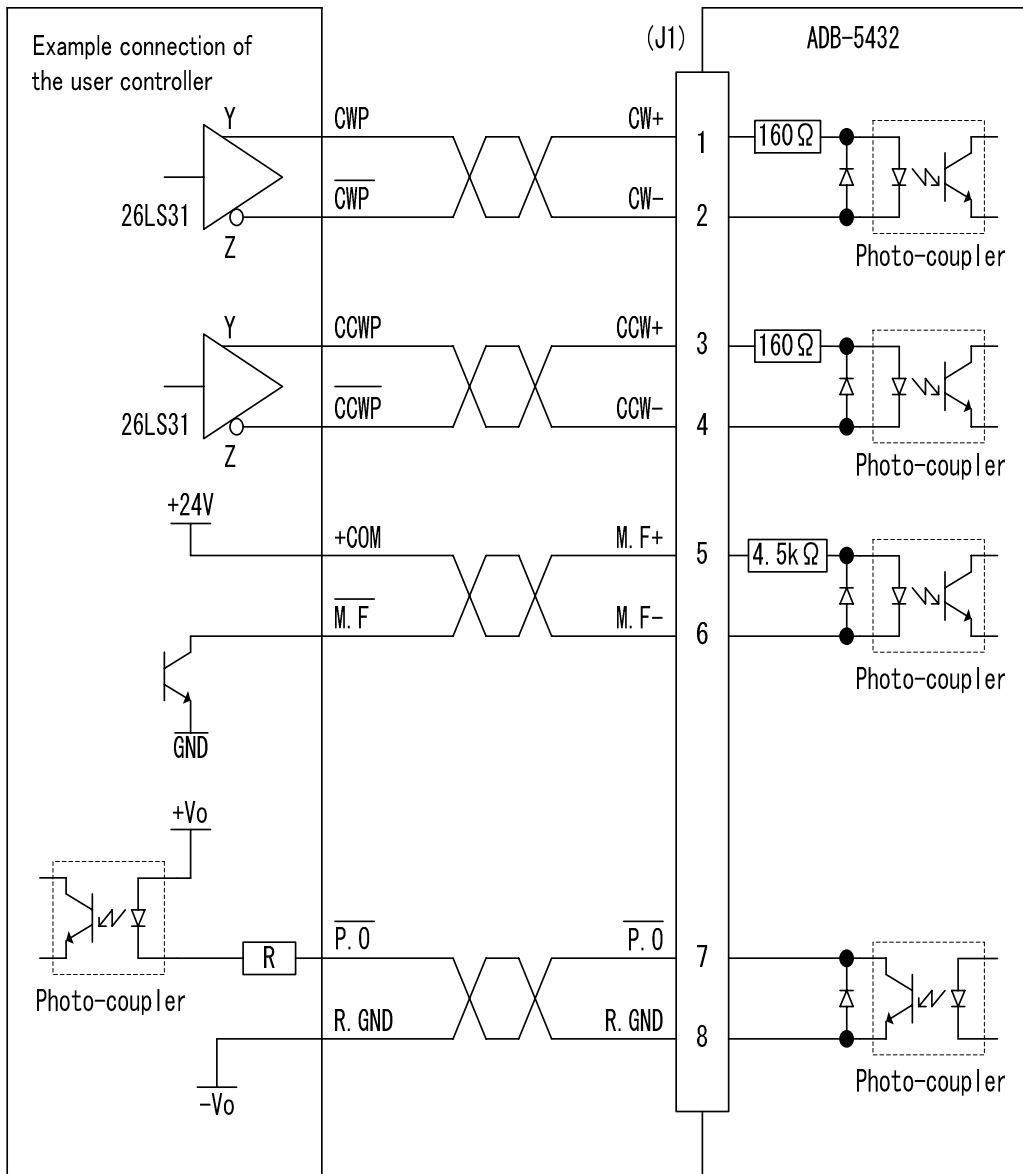
Supply Power	DC+24V *1 (Ripple voltage P-P 2.0V or less) ●Rated input current : [DRIVE I. SEL ⇒ IH set up] at DRIVE DC+24V: 2.0A *2 ●Rated input current : [HOLD I. ADJ ⇒ Approx. 40% set up] at HOLD DC+24V: 0.3A	
Motor output current	MOTOR SEL switch is set to [5L]	●DRIVE CURRENT IL:0.38A/phase (typical) IH:0.68A/phase (typical) ●HOLD CURRENT Approx. 40% of DRIVE CURRENT (factory-set)
	MOTOR SEL switch is set to [10L]	●DRIVE CURRENT IL:0.75A/phase (typical) IH:1.35A/phase (typical) ●HOLD CURRENT Approx. 40% of DRIVE CURRENT (factory-set)
Input Signal	●Drive pulse input (CW, CCW) Photo-coupler input ●Motor excitation stop input (M.F) Photo-coupler input	
Output Signal	●Phase signal output (P.O) O/C output	
Functions of Operating Sections	●Motor selection (MOTOR SEL) ●HOLD CURRENT adjustment (HOLD I. ADJ) ●DRIVE CURRENT selection (DRIVE I. SEL) ●Step angle selection (STEP SEL) ●HOLD switching time selection (DHT SEL) ●ROTATE CHARACTERISTIC selection (R.C SEL) ●PULSE INPUT TYPE selection (SPI SEL)	
Overheat alarm	●Overheat alarm LED (O.H.A LED)	
Operating Ambient Temperature	0°C ~ +40°C (No freezing allowed.)	
Operating Ambient Humidity	80%RH or less (No condensation allowed.)	
Storing Temperature	-10°C ~ +55°C (No freezing allowed.)	
Storing Humidity	80%RH or less (No condensation allowed.)	
Atmosphere	Indoor (Exposure to direct sun is not allowed.) Without any corrosive or inflammable gas, oil mist, or dust.	
Withstanding Vibration	No abnormality should be found after a vibration test at 10~55Hz, 0.15mm P-P	
Insulation resistance	DC connector - signal connector - Frame (Each other)	DC500V 100MΩ or more
Exterior Dimensions	^H 66 × ^W 83 × ^D 24 (mm)	
Weight	0.10 kg	

*1 Input voltage range is DC+24V±10%.

*2 Use a power supply that provides sufficient input current.

1 0 – 2. I/O Signal

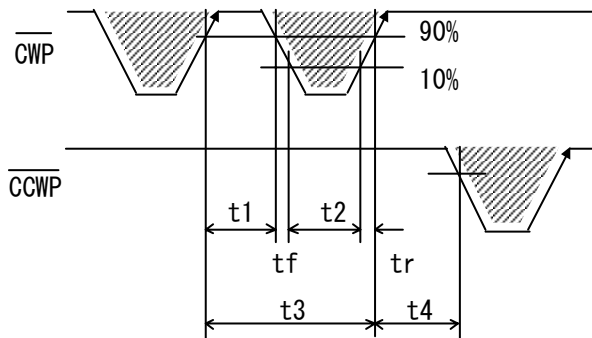
(1) Example Circuit Connection



(2) Drive pulse input (CW, CCW)

- ① Operating current range : 9mA~27mA
 The photo-coupler turns on with inter-terminal voltage of 3.1 V~5.5 V.
 (Photo-coupler diode $V_F \doteq 1.6$ V)

② Timing chart

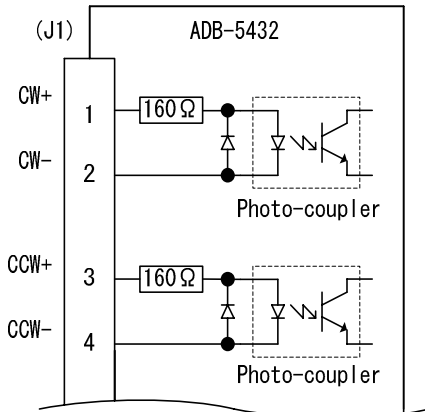


$$t1 \geq 2 \mu s, \quad t2 \geq 2 \mu s, \quad t_f, t_r \leq 2 \mu s$$

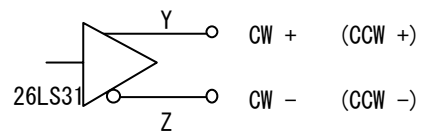
$$t3 > 4 \mu s, \quad t4 > 4 \mu s$$

Maximum response frequency : 250kHz

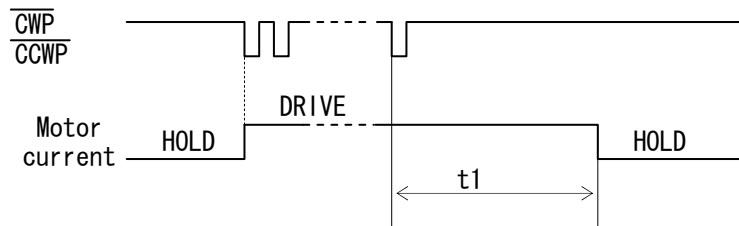
- The shaded area () indicates light emission from the photo-coupler, and the motor is driven at the rising edge ().
 "t4" greatly varies according to the inertial moment including that of the motor.



[To the line driver 26LS31]



③ Automatic switching for DRIVE/HOLD

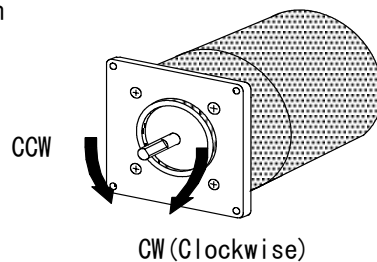


$$t1 \doteq 15ms \text{ (HOLD SWITCHING TIME SELECT switch : ON DH2)}$$

$$t1 \doteq 150ms \text{ (HOLD SWITCHING TIME SELECT switch : OFF DH1)}$$

- Inputting drive pulse causes the current output to the motor to change from HOLD CURRENT to DRIVE CURRENT, which returns to HOLD CURRENT in about "t1".
 DRIVE CURRENT continues if pulse is input on driving-state.

④ Direction of rotation

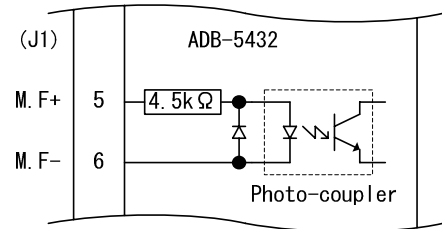


(3) Motor excitation stop input (M.F)

CAUTION

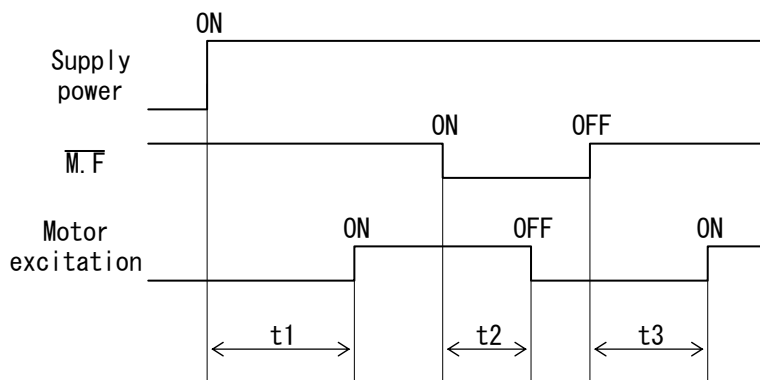
Deterioration of the holding power with the motor may cause breakage of the machine or injury.
Check safety before inputting.

- ① Operating current range : 4mA~5.3mA
The photo-coupler turns on with inter-terminal voltage of 19.1 V~25.1 V.
(Photo-coupler diode $V_F \doteq 1.1$ V)



- Motor output current is shut off with the photo-coupler ON.
At this time, motor torque changes to detent torque.
- When this signal is input, motor torque may be lost, resulting in failure to retain the load transported.
In particular, this risk is high with the vertical drive (such as the Z-axis).

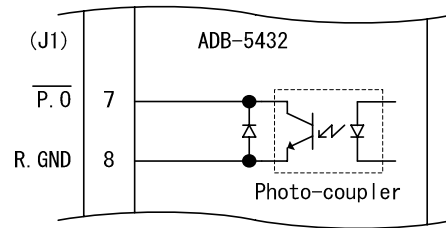
② Timing chart



- $t1 \leq 300\text{ms}$ ($t1$: Time required for the motor to be enabled.)
 $t2 \leq 5\text{ms}$ ($t2$: Time required for the motor output current to be shut off.)
 $t3 \leq 100\text{ms}$ ($t3$: Time required for the motor to be enabled.)

(4) Phase signal output (P.0)

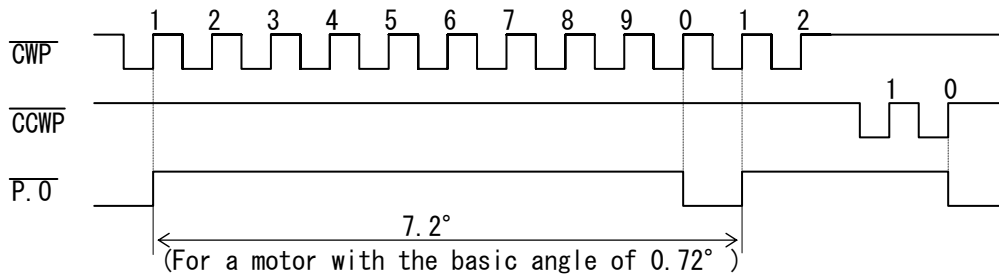
- ① Output current
- a. $I_C \leq 6\text{mA}$, $V_{CE(sat)} < 5\text{V}$
 - b. $I_C \leq 2\text{mA}$, $V_{CE(sat)} \leq 0.6\text{V}$
 $V_{CEO} \leq 30\text{V}$



- In case of the excitation home position, the signal is output.
 (photo-coupler ON)

② Timing chart

- P.0 output timing (for 1/1 STEP)



- P.0 output time

- 1/1 STEP: once in 10 pulses
- 1/2 STEP: once in 20 pulses
- 1/4 STEP: once in 40 pulses
- 1/10 STEP: once in 100 pulses
- 1/20 STEP: once in 200 pulses

1 0 – 3. Overheat alarm (O. H. A) LED

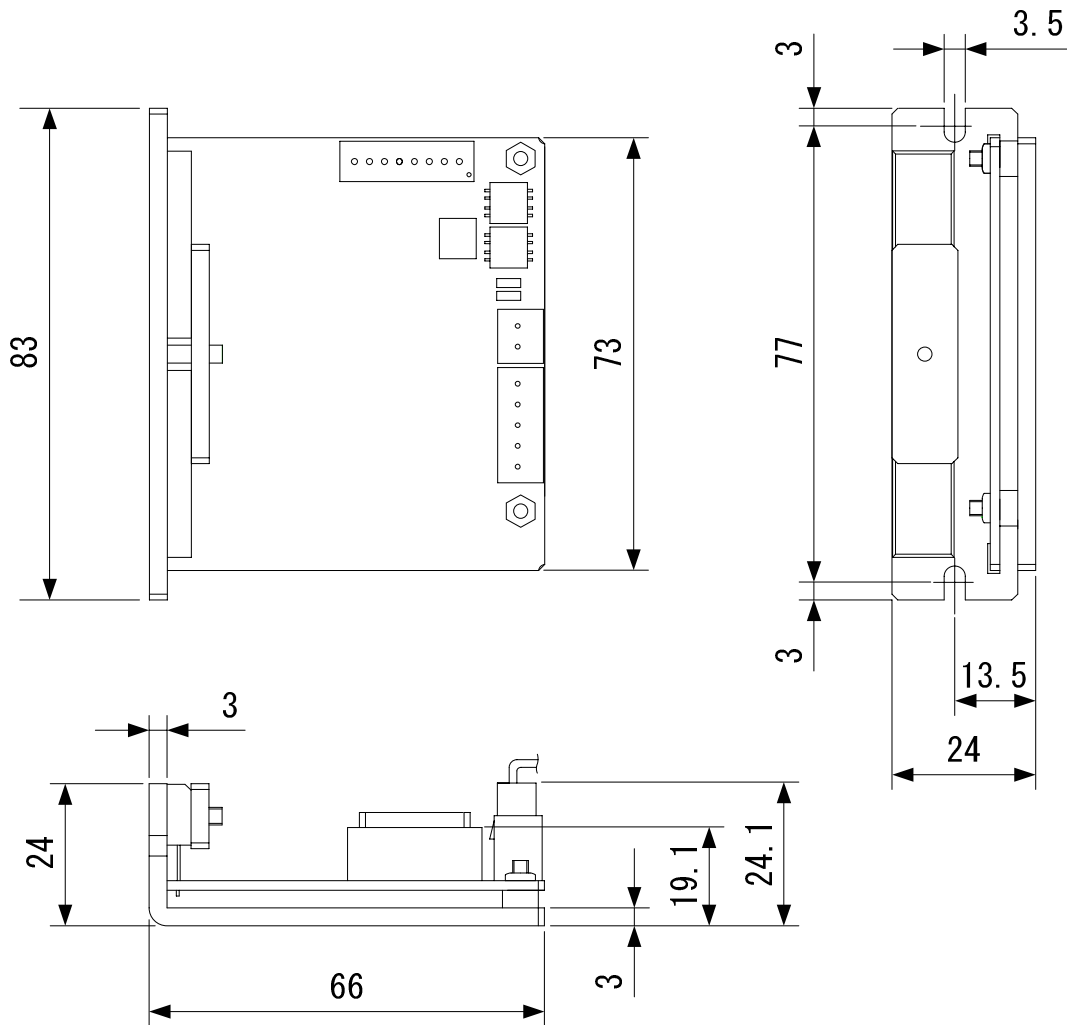
 **WARNING**

Overheating may cause fire.
Stop operation upon output of this signal.

- In case of internal temperature of the driver reaches approx. 70°C or more, O.H.A LED comes on. At this time the motor output current is not blocked.
- When this LED comes on, stop operation and check if there is any abnormality occurring with the motor and the driver.
- Provide mechanical cooling, for example, if this LED comes on while no abnormality is detected.
- Continuous operation is possible unless this LED comes on.

1 0 - 4. Dimensions

(Unit : mm)



10-5. Applicable Motors

●5-phase stepping motors of following table.

Applicable Motors	Basic Angle (°)	Current (A/phase)	Setting DRIVE I. SEL switch	Setting MOTOR SEL switch	Torque Data Fig. No.
SANYO DENKI CO., LTD.					
103H5505-7040 (7010) 103H5508-7040 (7010) 103H5510-7040 (7010)	0.72	0.75	OFF (IH)	ON (5L)	Fig. 1 Fig. 2 Fig. 3
103H6500-7041 (7011) 103H6501-7041 (7011)	0.72	0.75	OFF (IH)	ON (5L)	Fig. 4 Fig. 5
103H7851-7051 (7021) 103H7852-7051 (7021) 103H7853-7051 (7021)	0.72	0.75	OFF (IH)	ON (5L)	Fig. 6 Fig. 7 Fig. 8
ORIENTAL MOTOR CO., LTD.					
PK543-A (B) PK544-A (B) PK545-A (B) PK564-A (B) PK566-A (B)	0.72	0.75	ON (IL)	OFF (10L)	Fig. 9 Fig. 10 Fig. 11 Fig. 12 Fig. 13
PK564H-A (B) PK566H-A (B) PK569-A (B)	0.72	1.4	OFF (IH)	OFF (10L)	Fig. 14 Fig. 15 Fig. 16
Factory Setting			OFF (IH)	OFF (10L)	—

() : Both axes

1 0 – 6. Torque Characteristics

- (1) Representations in the torque characteristics table are made in terms of the motor rotation (s^{-1}) vs. torque ($N \cdot m$).

Motor rotation (s^{-1}) and drive pulse frequency (Hz) are converted as follows:

$$\text{Motor rotation}(s^{-1}) \times \frac{360^{\circ}}{\text{Step angle}} = \text{Drive pulse input frequency(Hz)}$$

- Maximum value of the rotate speed is $60s^{-1}$ at 0.72° motor.
- (2) The Maximum Starting Pulse Rate is represented as "fs" by the value at zero inertial load.
- (3) Upon operation, provide adequate allowance for torque.
- (4) The stepping motor may attain high temperature, depending on the operational conditions.
If the surface temperature exceeds 100°C , provide cooling measures to control it to operate at 100°C at the highest.

Fig. 1

103H5505-7040 (7010)
0.75A/PHASE

MOTOR SEL = 5L
DRIVE I. SEL = IH
DC24V

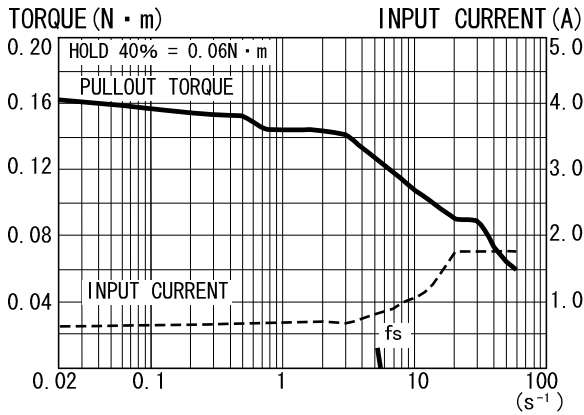


Fig. 2

103H5508-7040 (7010)
0.75A/PHASE

MOTOR SEL = 5L
DRIVE I. SEL = IH
DC24V

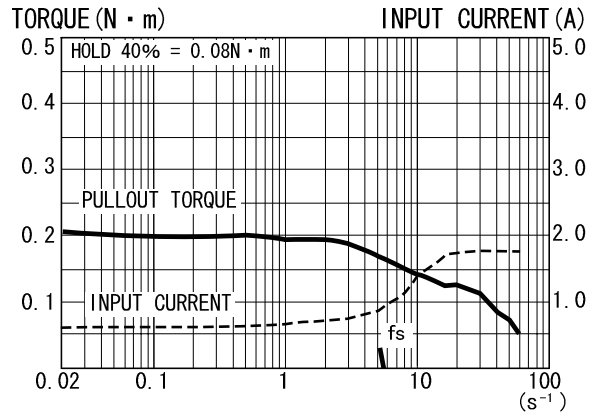


Fig. 3

103H5510-7040 (7010)
0.75A/PHASE

MOTOR SEL = 5L
DRIVE I. SEL = IH
DC24V

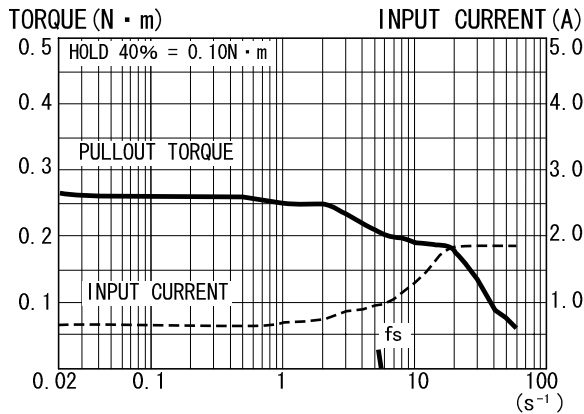


Fig. 4

103H6500-7041 (7011)
0.75A/PHASE

MOTOR SEL = 5L
DRIVE I. SEL = IH
DC24V

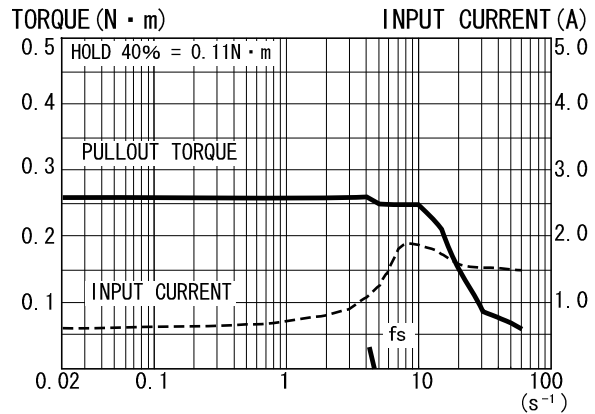


Fig. 5

103H6501-7041 (7011)
0.75A/PHASE

MOTOR SEL = 5L
DRIVE I. SEL = IH
DC24V

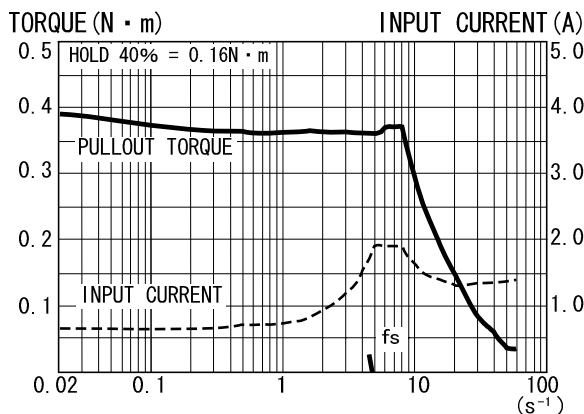


Fig. 6

103H7851-7051 (7021)
0.75A/PHASE

MOTOR SEL = 5L
DRIVE I. SEL = IH
DC24V

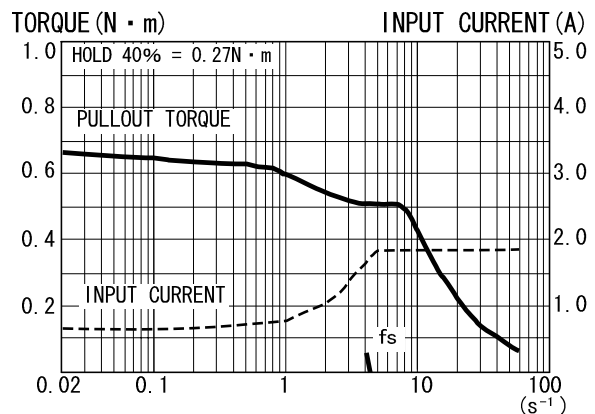


Fig. 7

103H7852-7051 (7021)
0.75A/PHASE

MOTOR SEL = 5L
DRIVE I. SEL = IH
DC24V

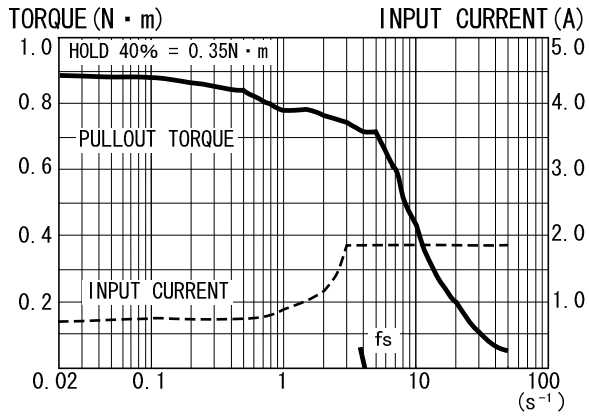


Fig. 8

103H7853-7051 (7021)
0.75A/PHASE

MOTOR SEL = 5L
DRIVE I. SEL = IH
DC24V

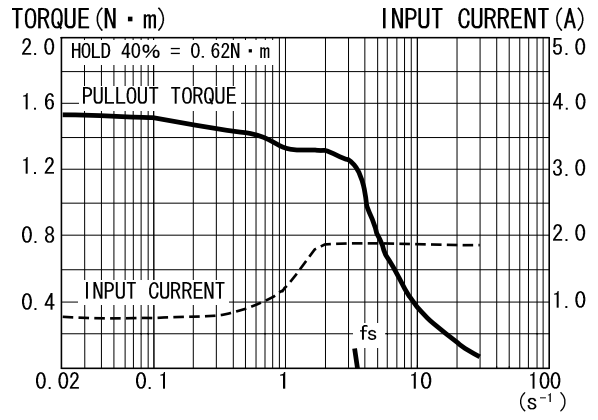


Fig. 9

PK543-A(B)
0.75A/PHASE

MOTOR SEL = 10L
DRIVE I. SEL = IL
DC24V

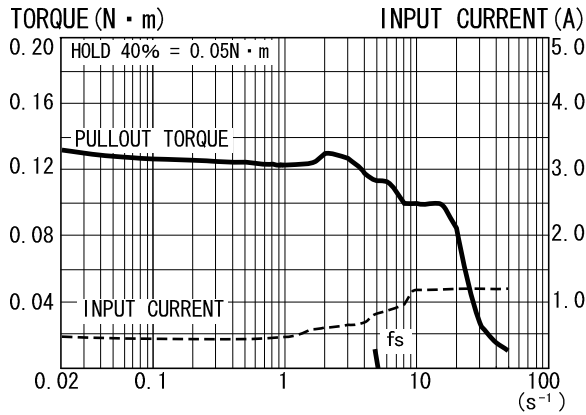


Fig. 10

PK544-A(B)
0.75A/PHASE

MOTOR SEL = 10L
DRIVE I. SEL = IL
DC24V

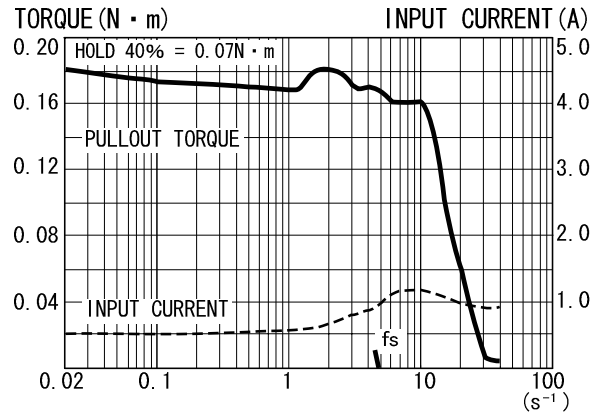


Fig. 11

PK545-A(B)
0.75A/PHASE

MOTOR SEL = 10L
DRIVE I. SEL = IL
DC24V

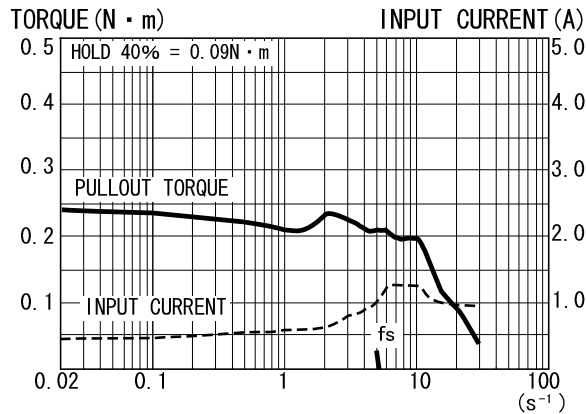


Fig. 12

PK564-A(B)
0.75A/PHASE

MOTOR SEL = 10L
DRIVE I. SEL = IL
DC24V

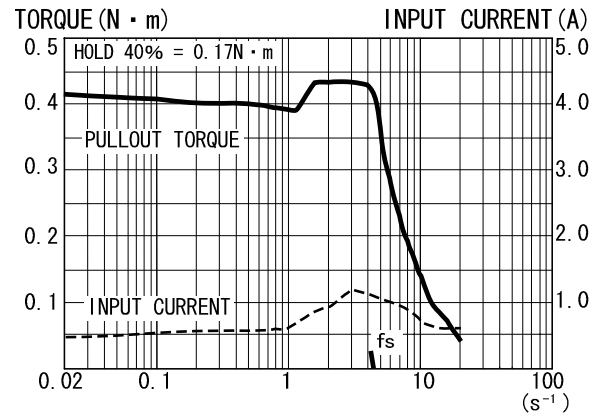


Fig. 13

PK566-A(B)
0.75A/PHASE

MOTOR SEL = 10L
DRIVE I. SEL = IL
DC24V

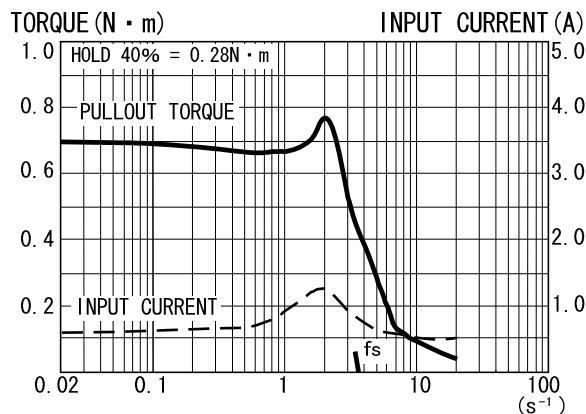


Fig. 14

PK564H-A(B)
1.4A/PHASE

MOTOR SEL = 10L
DRIVE I. SEL = IH
DC24V

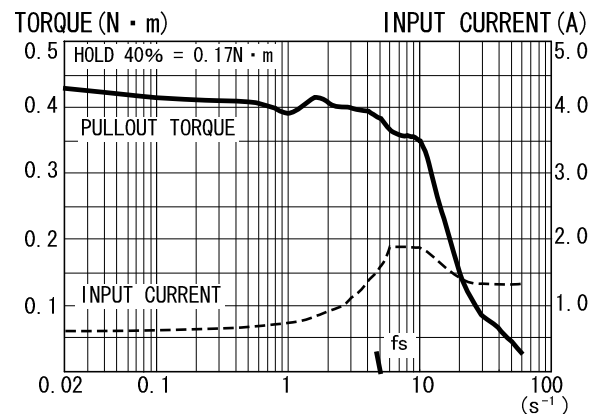


Fig. 15

PK566H-A(B)
1.4A/PHASE

MOTOR SEL = 10L
DRIVE I. SEL = IH
DC24V

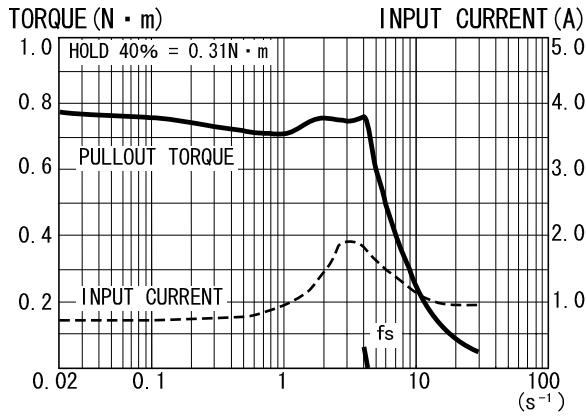
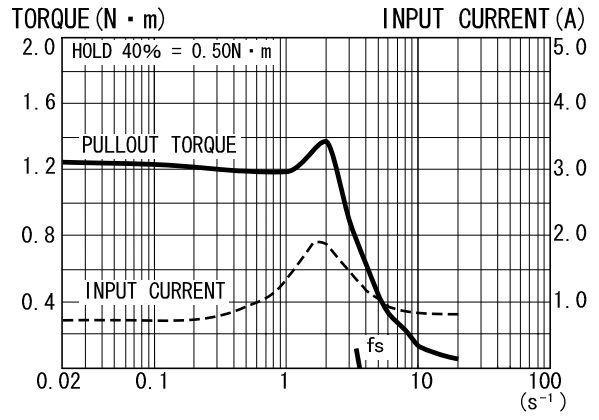


Fig. 16

PK569-A(B)
1.4A/PHASE

MOTOR SEL = 10L
DRIVE I. SEL = IH
DC24V



Technical Service

TEL. (042) 664-5382 FAX. (042) 666-5664
E-mail s-support@melec-inc.com

Sales and Service

TEL. (042) 664-5384 FAX. (042) 666-2031
URL:<http://www.melec-inc.com>

Melec Inc. Control equipment marketing department
516-10, Higashiasakawa-cho, Hachioji-shi, Tokyo 193-0834, Japan

This Operating Manual is subject to change without prior notice
for the purpose of product improvement.

□□□□